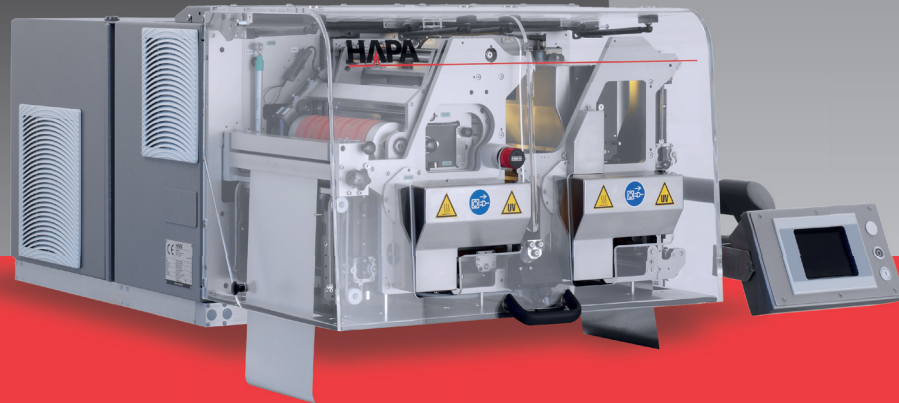


Hapa 230 Hybrid

UV DOD 4-in-1 Foil Printing System, Top-mounted



The **Hapa 230 Hybrid** is a modular UV printing system combining the economic features of flexo technology with fully-digital Drop On Demand printing flexibility. It prints on a variety of blank or pre-printed roll-fed substrates including aluminum foil, paper, PVC, medical paper and Tyvek®. It is easily integrated into continuous or intermittent motion packaging machines.

UV Flexo

- › prints text and artwork in product-branding quality
- › economical use of ink, large runs

UV DOD

- › prints market-specific info, language variations, bar, matrix and serialized, randomized data
- › Customize semi-finished products, use for promotional or individualized products

Key Features

- › Reliable, proven, high quality solvent-free UV ink printing
- › Simple, user-friendly operation and adjustments with color touch-screen control panel
- › UV dryer module provides reliable and instant curing of the UV ink

UV Flexo

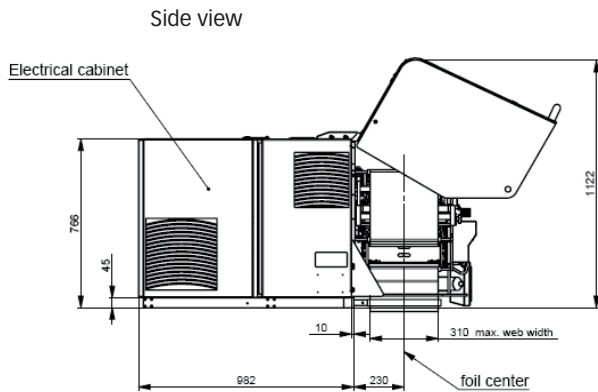
- › Pin-fastened print mats take less than a minute to change
 - › no adhesive tape necessary
 - › precise repositioning job-to-job guaranteed
- › UV flexographic inks available in any PMS shade
- › Color changes take less than a minute
- › Highest quality print (up to 2400 dpi)

UV DOD

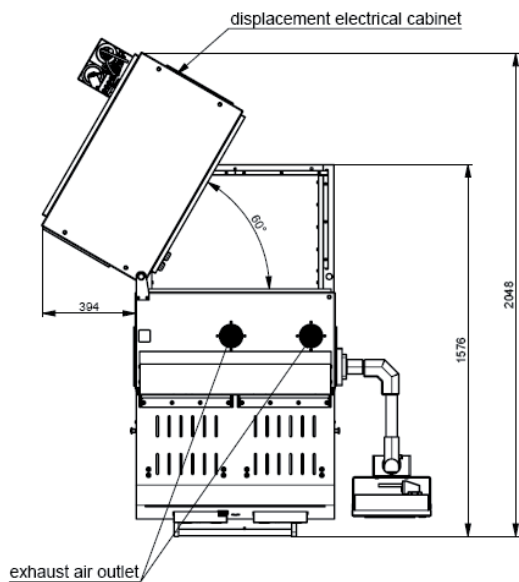
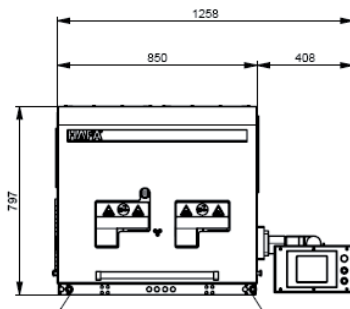
- › Drop on Demand technology
- › Fully digital data transfer

Hapa 230 Hybrid

UV DOD 4-in-1 Foil Printing System, Top-mounted



Front view



Top view

Technical Data: 230 Hybrid

General Values

Web width min. – max. in mm	64 - 310
Advance length min. – max. in mm	30 - 180
Printing length min. – max. in mm	30 - 180
Printing width Flexo max. in mm	300
Printing width DOD max. in mm	288
Print head resolution in dpi	360
Number of cycles max. in cycles/min	120
Printing speed max. in m/min	21,6

Weight

Weight approx. in kg	400
----------------------	-----

Power supply

Supply voltage in V	380 - 480 3PNE
Frequency in Hz	50 / 60
Input voltage in kVA	11

Compressed air

Input pressure in bar	6 - 10
-----------------------	--------

Key Benefits

- > Functions as 2-color printer
- > Use blank or pre-printed materials
- > On demand or just-in-time production
- > Respond rapidly to new markets
- > No reconciliation & less waste
- > Reliable, proven, high quality solvent-free printing
- > Format-free operation saves time and money
- > Increased production flexibility
- > Faster product turnaround time
- > Leaner logistics
- > Shorter and more accurate forecasting

Key Options

- > Serialization, randomizing and code printing